



NRP-10

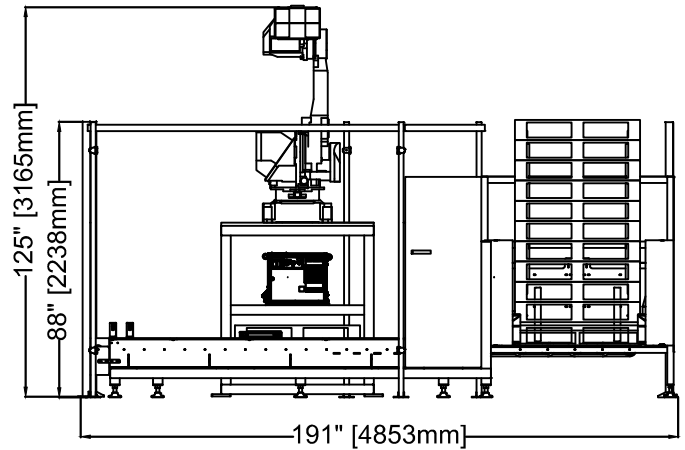
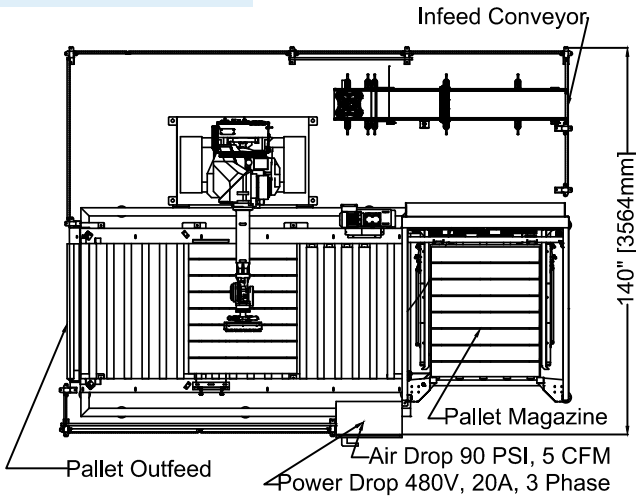
MAIN FEATURES

- Integrated industrial robot 5 or 6 axis
- Adaptable layout to production constraints
- Ability to handle multiple products simultaneously
- Up to 15 pallet magazine available
- Manual or automatic pallet delivery options
- Slip Sheet placement available
- Low maintenance design



NRP-10 ROBOTIC PALLETIZER

• Compact • Adaptable • Dependable



SPECIFICATIONS:

ROBOT:	Fanuc R-1000iA Series
SPEED:	Up to 10 picks per minute
CASE SIZE RANGE:	Length: 5" (127mm) – 24" (610mm) Width: 5" (127mm) – 24" (610mm) Height: 1" (25.5mm) – 20" (508mm) Custom sizes are available, please inquire
PALLET SIZE:	Width: 48" (1,219 mm.) max., Length: 48" (1,219 mm.) max Custom sizes are available, please inquire
PAYLOAD:	up to 100 kg (220 lb) (multiple case pick up)
STACKING HEIGHT:	65" standard height (extension available)
MAGAZINE CAPACITY:	15 pallets
FINISH:	Powder coat epoxy. Stainless steel optional
GUARDING:	- Epoxy coated steel mesh guarding, interlocked with door safety switches - Optional anodized Aluminum and mesh guarding interlocked with door safety switches with door safety switches - Optional stainless steel with Polycarbonate guarding
ELECTRICAL:	- Bosch Rexroth, Omron, Allen Bradley - Touch screen HMI - NEMA 12 wiring and enclosures. - 3-color stack-able warning lights.
PNEUMATICS:	"FESTO", "SMC"
INSTALLATION	Power: 480 VAC, 20 AMPS, 3 Phase. Control voltage 24VDC. Air: 90 PSI, 5 cfm



400 Steeprock Drive, Toronto
Ontario, Canada, M3J 2X1
Tel: (416) 663 7071
www.nuspark.com

Distributed by