



VLC-80

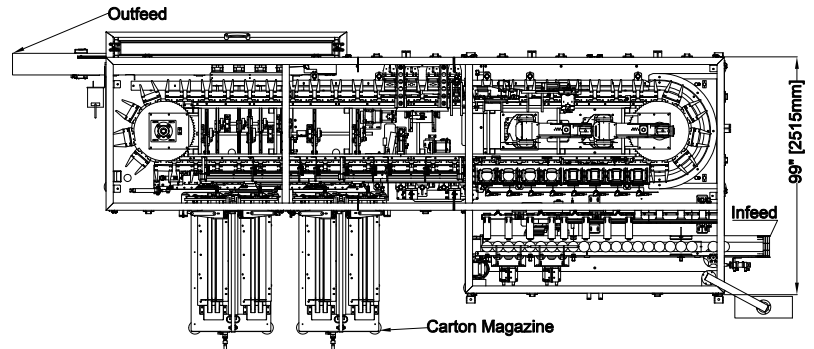
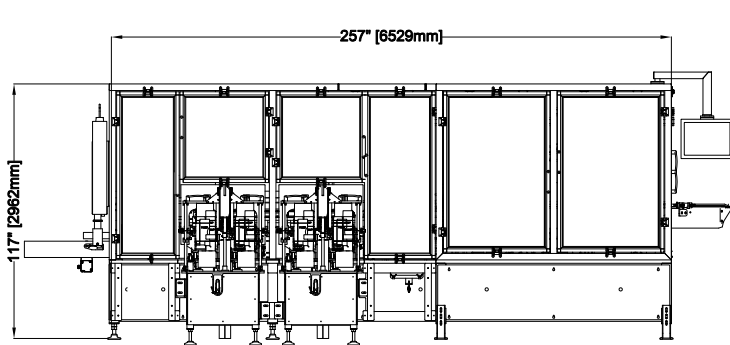
MAIN FEATURES

- Up to 80 cartons per minute
- Ideal for frequent changeover
- Racetrack configuration, allows up to 4 operators (manual operation)
- Automatic loading available
- Stainless steel frame standard
- Ergonomic design



VLC-80 VERTICAL LINEAR CARTONER

• Adaptable • Compact • Ergonomic



SPECIFICATIONS:

| | |
|----------------------------|--|
| DRIVE: | Servo Drive |
| SPEED: | Up to 80 cartons per minute |
| PRODUCT SIZE RANGE: | Per Project Specification |
| CARTON SIZE RANGE: | Length: min - ½" (13mm) max - 5" (127mm) Width: min - ½" (13mm) max - 4" (101mm) Height: min - 2" (50mm) max - 15" (380mm) |
| CARTON FEED: | Vacuum with mechanical carton feed |
| MODE: | - Racetrack intermittent motion - Operating stations allowing, direct or field installation of options including: <ul style="list-style-type: none"> • Leaflet insertion • Barcode reader • Missing product detection • Printer • Open flap detection - High speed in-feed systems are designed to meet specific product loading - Hot melt system or fold and tuck (airplane or reverse) |
| WEIGHT: | Approximately 1200 kg / 2600 lbs |
| MAGAZINE CAPACITY: | Single magazine 40" holding 850 cartons; up to 4 magazines/machine |
| FRAME: | Stainless Steel |
| CONSTRUCTION: | Anodized Aluminum/ stainless steel and fully accessible polycarbonate Interlocked guarding with adjustable feet or optional casters |
| INSTALLATION REQUIREMENTS: | Power: 240 VAC with 3 phase @ 15 amps. Air: 90 PSI, 15 cfm |
| VALIDATION: | product present verification, Standard |



400 Steeprock Drive, Toronto
Ontario, Canada, M3J 2X1
Tel: (416) 663 7071
www.nuspark.com

Distributed by