



## NTP-10

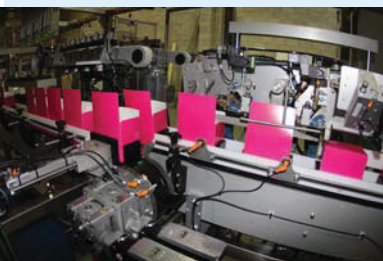
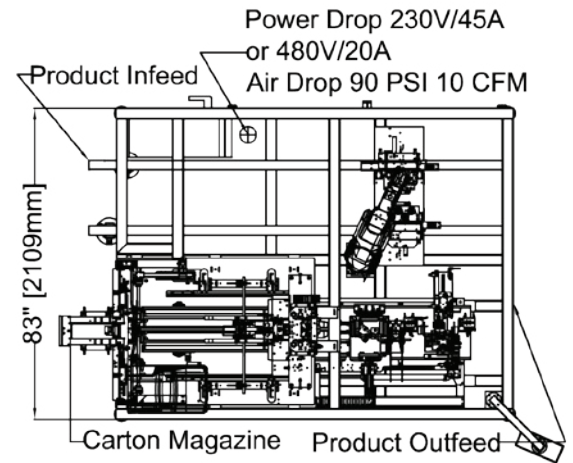
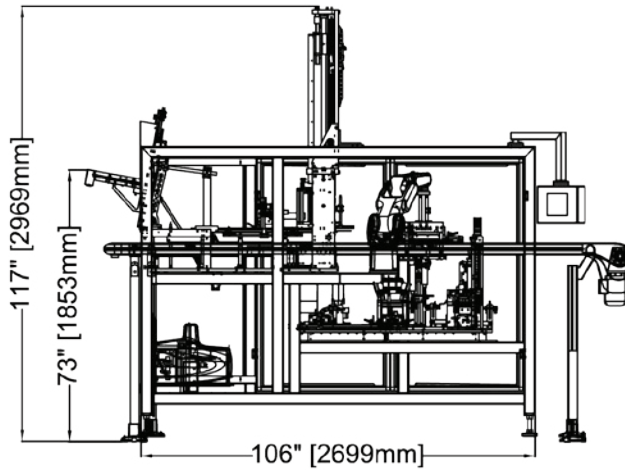
### MAIN FEATURES

- 2 in 1 single cell technology - form and load on one frame
- Industrial robot - up to 6 axis
- Top load up to 10 trays/cartons per minute
- Flexible forming funnel, accomodates material variance/imperfection
- Tool-less changeover - under 5 minutes
- Smallest industry footprint
- Stainless steel frame STANDARD
- Washdown available

## SINGLE CELL TRAY PACKER

• Affordable • Efficient • Practical

# NTP-10



### SPECIFICATIONS:

ROBOT:	Industrial robot - 6 axis
DRIVE:	AC Motors (product transfer)
SPEED:	Up to 10 cartons/trays per minute
PRODUCT SIZE RANGE:	Per Project Specification
TRAY SIZE RANGE:	Per Project Specification
TRAY SEALING:	"Nordson" Glue system
MAGAZINE CAPACITY:	2 ft. (~700 blanks)
FRAME:	Stainless Steel
GUARDING:	Full length polycarbonate with extruded anodized aluminum frames
FINISH:	All parts in contact with product are stainless steel, anodized aluminum or plastic
ELECTRICAL:	- Schneider Electric, Allen Bradley, Omron - Color touch screen HMI - NEMA 12 wiring and enclosures - 3-Color stackable warning lights
PNEUMATICS:	"FESTO"
INSTALLATION REQUIREMENTS:	Power: 230 VAC/30 Amps. or 480 VAC/15 Amps. 3 phase, 50/60 Hz Air: 90 PSI, 10 cfm



1111 Flint Road, Unit 29, Toronto  
Ontario, Canada, M3J 3C7  
Tel: (416) 663 7071  
www.nuspark.com

**Distributed by**