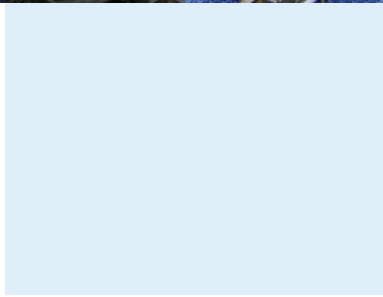
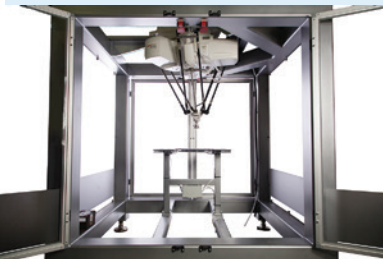
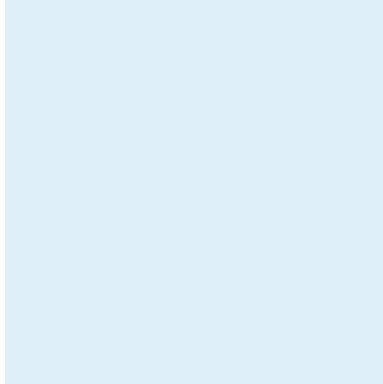


## NTL-R

### MAIN FEATURES

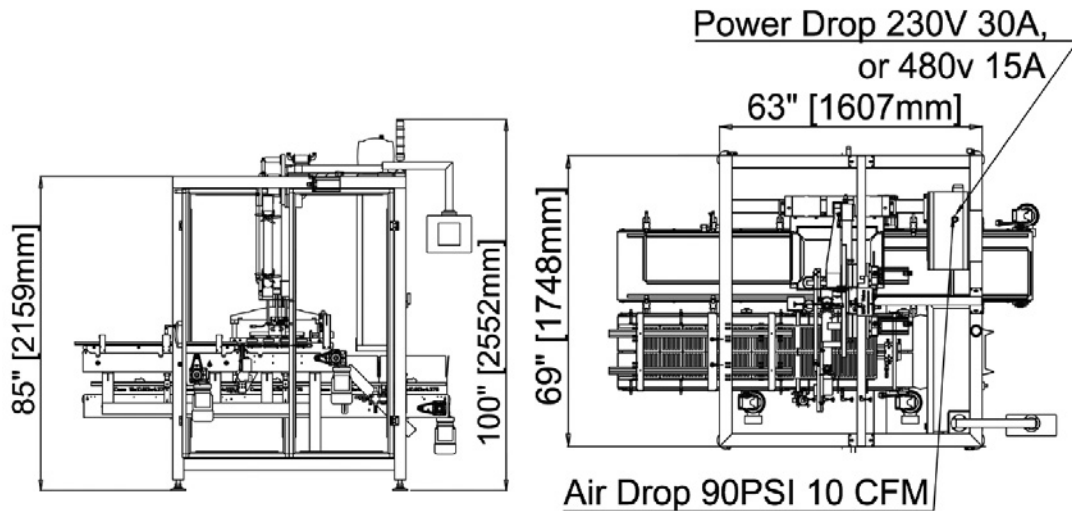
- Intergrated robot up to 6 axis, articulated arm or 3 axis delta
- High speed top load up to 120 picks per minute
- Tool-less changeover - less then 10 minutes
- Economic footprint
- Stainless steel frame STANDARD
- Washdown available
- Vision system available



## ROBOTIC TOP LOADER

• Compact • Unparalleled Flexibility

# NTL-R



### SPECIFICATIONS:

DRIVE:	Industrial Robot, AC Motors (Case and product transfer)
SPEED:	Up to 120 picks per minute (single robot)
PRODUCT SIZE RANGE:	Per Project Specification, maximum envelope 24" (L) x 16" (W)
CASE SIZE RANGE:	Length: max - 24" (610mm) Width: max - 16" (406mm) Height: max - 16" (406mm)
ADJUSTMENTS:	Quick Changeover with available Hand-wheel size adjustments throughout
FRAME:	Tubular Steel or Stainless Steel
CONSTRUCTION:	Full length polycarbonate with extruded anodized aluminum frames guarding interlocked with door safety switches
FINISH:	Powder coat epoxy. All parts in contact with product are stainless steel, anodized aluminum or plastic
ELECTRICAL:	- Schneider Electric, Allen Bradley, Omron - Color touch screen HMI - NEMA 12 wiring and enclosures - 3-Color stackable warning lights
PNEUMATICS:	"FESTO"
INSTALLATION REQUIREMENTS:	Power: Voltage 230 VAC/30 Amps. or 480 VAC/15 Amps. 3 phase, 50/60 Hz. Control voltage: 24VDC. Air: 90 PSI at 10 cfm



1111 Flint Road, Unit 29, Toronto  
 Ontario, Canada, M3J 3C7  
 Tel: (416) 663 7071  
 www.nuspark.com

**Distributed by**